

Fig. 1

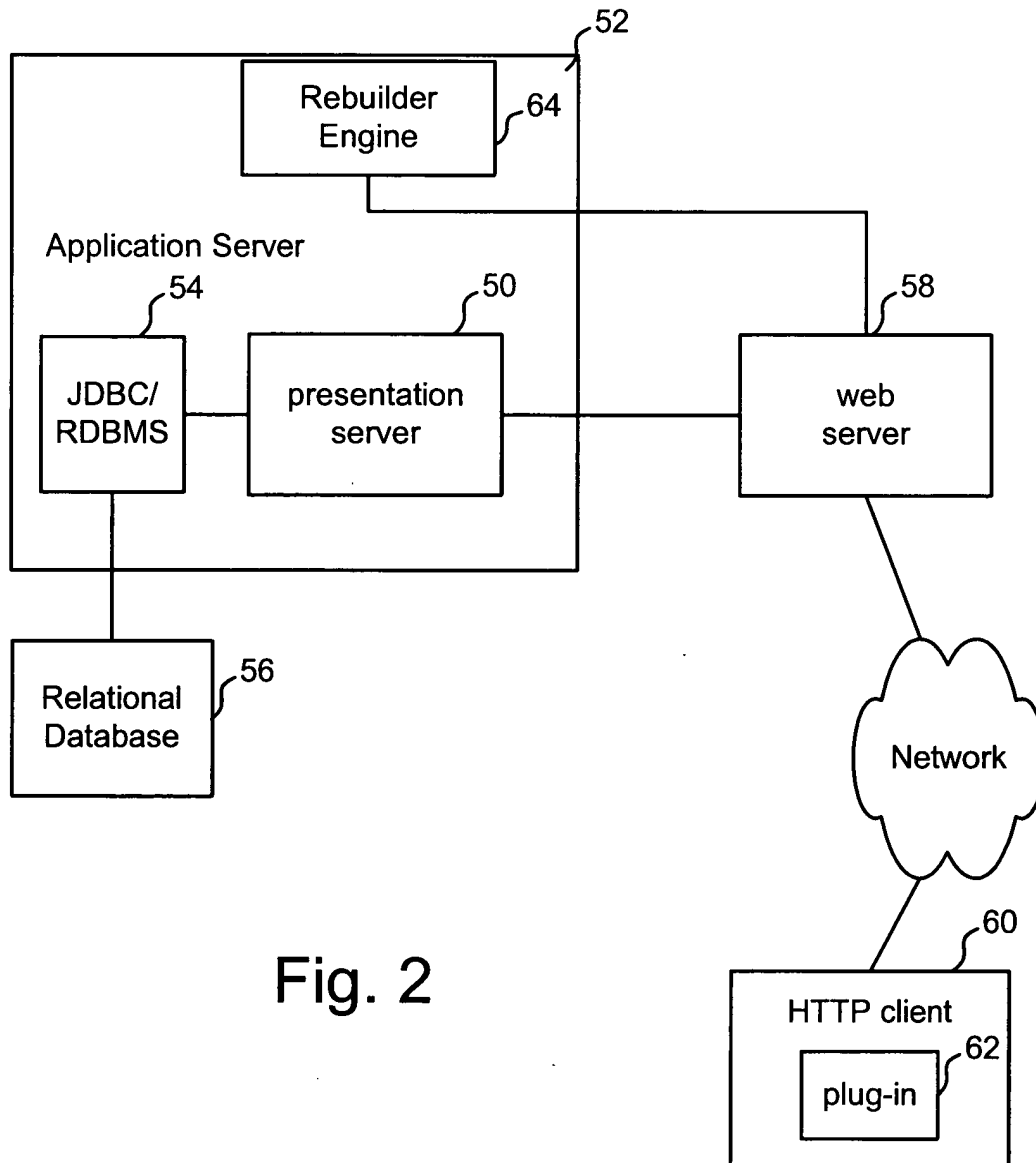
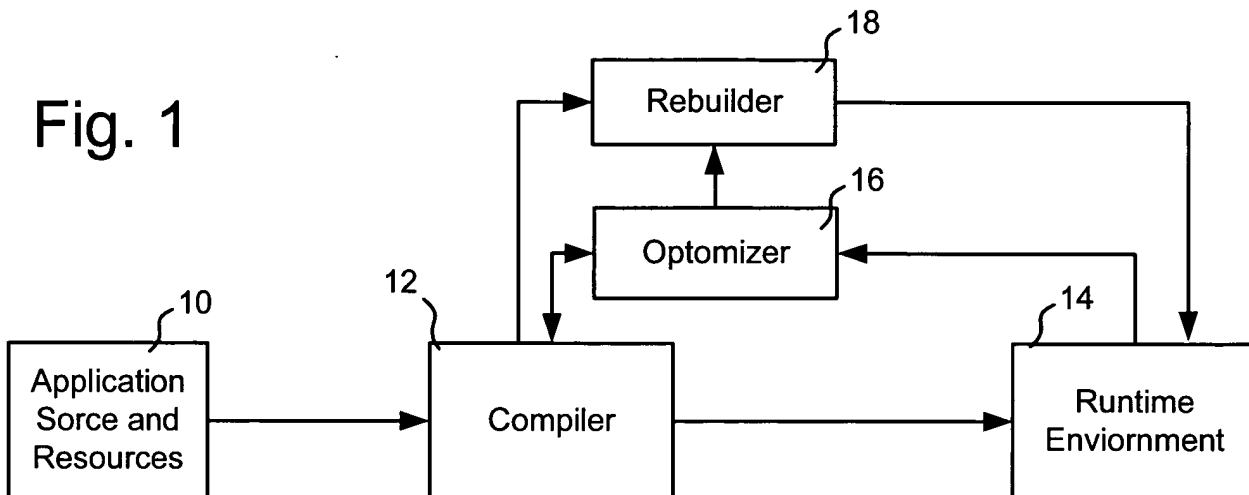


Fig. 2

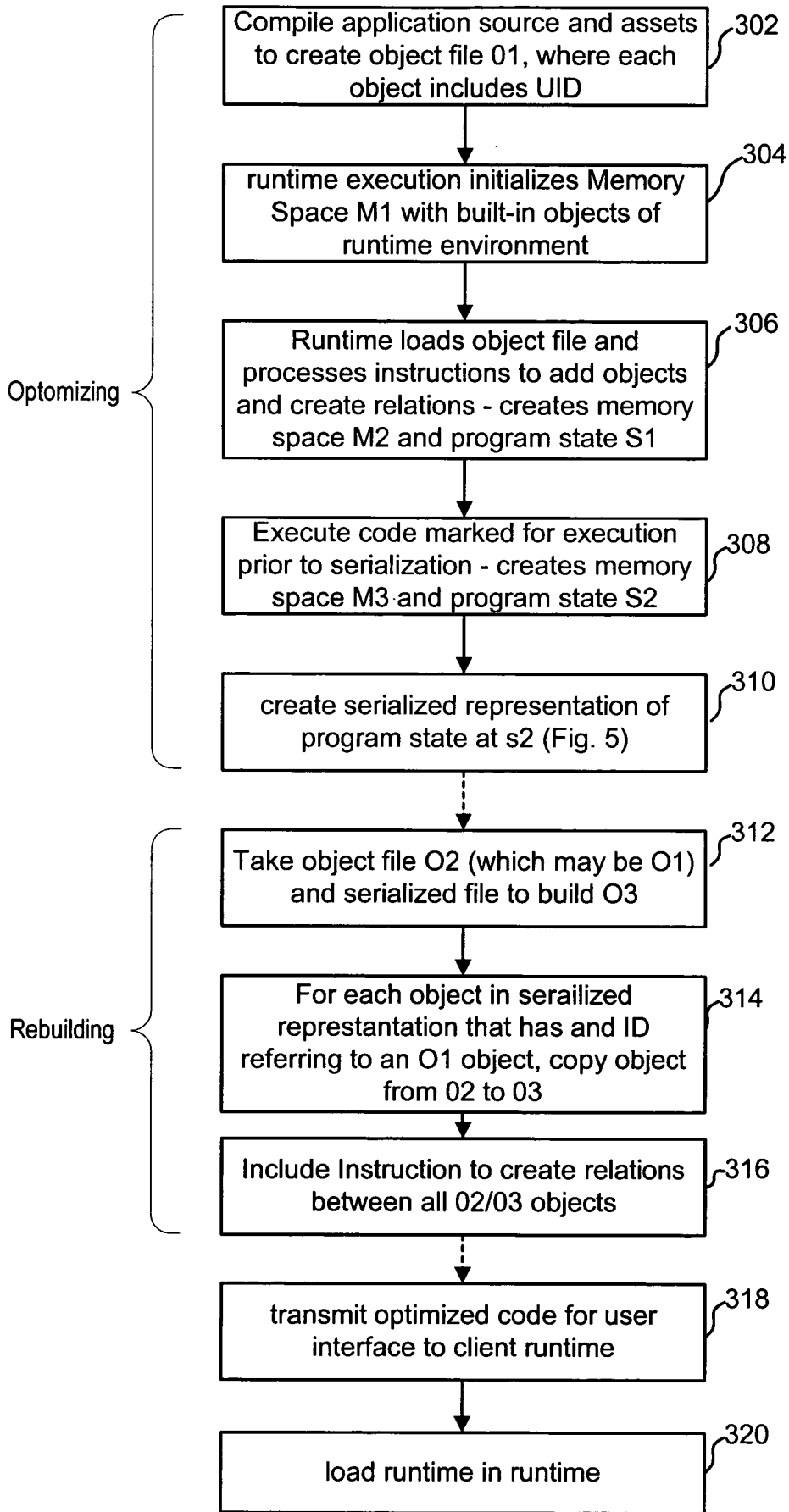


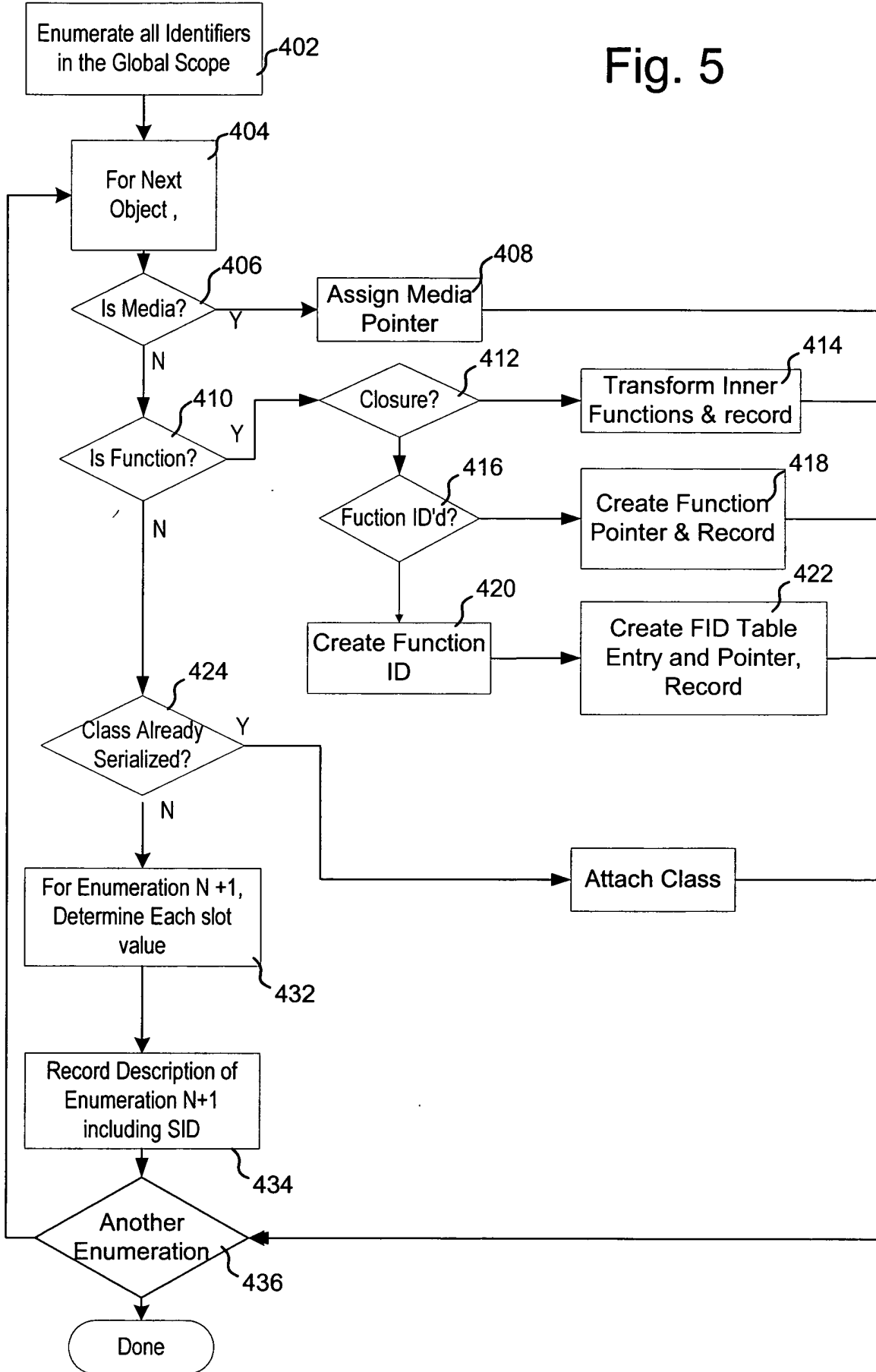
Fig. 3

Title:  
Applicants:  
Appl. No.:  
Filing Date:  
Express Mail No.:

SYSTEM FOR OPTIMIZING APPLICATION START-UP  
Wolff, et al.  
Unknown  
November 24, 2003  
EL 994 763 613 US

Docket No.: LZLO-01006US0  
Atty: Larry E. Vierra  
Phone: (415) 369-9660

Fig. 5



Title:	SYSTEM FOR OPTIMIZING APPLICATION START-UP	Docket No.:	LZLO-01006USO
Applicants:	Wolff, et al.	Atty:	Larry E. Vierra
Appl. No.:	Unknown	Phone:	(415) 369-9660
Filing Date:	November 24, 2003		
Express Mail No.:	EL 994 763 613 US		

## Fig. 6

```

        600 ↙
<_root width="2039.5" height="1186.85" >\par
  <m n="m4" y="57" xscale="830" yscale="516" depth="20" link="LzMask"
>\par
  <m n="mask_sub" xscale="12.0481927710843" yscale="19.3798449612403"
depth="contained" link="contained" >\par
602 { <m n="belowmask" depth="11" link="empty" >\par
  <m n="m0" visible="false" depth="10" link="empty" >\par
604 { <m n="m2" depth="14" link="empty" >\par
  <m n="m2" x="-21" y="-1" depth="14" link="empty" >\par
606 { <m n="m1" depth="12" link="ibutton_icon" >\par
  </m>\par
  .
  .
608 { <o n="_root" m="_level0" sid="0" x="true" >
  <b n="haveparrefs" v="true" />
  <b n="havemyrefs" v="true" />
  <n n="s" v="-1" />
  <s n="k" v="advancetable" />
  <s n="_Copyright" v="Portions of this file are copyright (c ) 2001-
2003 by Laszlo Systems, Inc . All rights reserved ." />
  <c n="LzSerializer" t="object" d="true" sid="" />
  <n n="_dbg_objseq" v="1" />
  <n n="_dbg_objseq" v="0" />
  <b n="_dbg_insideUndefinedMethod" v="false" />
  <b n="_dbg_insideNotFunction" v="false" />
  <b n="_dbg_insideUndefinedVariable" v="false" />
  <b n="_dbg_insideUndef2" v="false" />
  <b n="_dbg_insideUndef1" v="false" />
  <b n="_dbg_log_all_writes" v="false" />
  <b n="_dbg_isLoading" v="true" />
  <s n="_dbg_saved_msgs" v="" />
  <s n="krank" v="true" />
  <s n="lzt" v="swf" />
  <s n="$version" v="WIN 7,0,14,0" />
610 { <o n="frameupdate" m="_level0 .frameupdate" sid="1" >
  <n n="s" v="-1" />
  <n n="i" v="3" />
  </o>
612 { <o n="lzpreloader" m="_level0 .lzpreloader" sid="2" >
  <s n="p" v="height" />
  <s n="name" v="splash" />
  <b n="hideafterinit" v="true" />
  <n n="ht" v="600" />
  <n n="wd" v="830" />
  <s n="heartbeat" v="" />
614 { <o n="_heartbeat" m="_level0 .lzpreloader ._heartbeat" sid="3" >

```

Title:	SYSTEM FOR OPTIMIZING APPLICATION START-UP	Docket No.:	LZLO-01006USO
Applicants:	Wolff, et al.	Atty:	Larry E. Vierra
Appl. No.:	Unknown	Phone:	(415) 369-9660
Filing Date:	November 24, 2003		
Express Mail No.:	EL 994 763 613 US		

## Fig. 7a

```
calendar.lzx
<!-- Copyright 2002-2003 Laszlo Systems, Inc. -->
-->
<canvas title="Laszlo Calendar" bgcolor="#1E3A49" width="830" height="600">
702 <include href="cal-button.lzx">
    <include href="resources.lzx">

    <!-- INCLUDES -->
    <include href="vscrollbar.lzx">
        :
```

## Fig. 7b

```

:
:
<class name="calButton" clickable="true">
  <attribute name="label" value="" type="string">
  <attribute name="icon" value="" type="string">
  <attribute name="divider" value="3" type="number">
  <attribute name="leftcap" value="oval" type="string">
  <attribute name="rightcap" value="oval" type="string">
  <attribute name="leftinset" value="0">
  <attribute name="rightinset" value="0">
  <attribute name="yoffset" value="2" type="number">
  <attribute name="normalRsrcNumber" value="1" type="number">
  <attribute name="overRsrcNumber" value="2" type="number">
  <attribute name="downRsrcNumber" value="3" type="number">
  <attribute name="deselectRsrcNumber" value="4" type="number">
  <attribute name="width" onset="this.widthSetter(width);">
  <attribute name="keepinitialwidth" value="false">
  <attribute name="enabled" value="true">
  <attribute name="mouseisdown" value="false">
:
:
```

Title:	SYSTEM FOR OPTIMIZING APPLICATION START-UP	Docket No.:	LZLO-01006USO
Applicants:	Wolff, et al.	Atty:	Larry E. Vierra
Appl. No.:	Unknown	Phone:	(415) 369-9660
Filing Date:	November 24, 2003		
Express Mail No.:	EL 994 763 613 US		

## Fig. 8

```

802 ~ <o n="1" sid="906" >
804 ~ <s n="name" v="calButton" />
806 ~ <o n="attrs" sid="907" >
810 { <b n="clickable" v="true" />
      <s n="icon" v="iconWeek" />
      <s n="label" v="week" />
      <s n="leftcap" v="shear" />
      <s n="rightcap" v="shear" />
      <n n="textwidth" v="27" />
      <o n="events" sid="908" >
        <o n="onclick" FID="calendar_lzx$105_76_onclick_event" >
          <s n="name" v="calendar_lzx$105_76_onclick_event" />
          <o n="prototype" sid="910" >
            <o n="constructor" FID="calendar_lzx$105_76_onclick_event" />
          </o>
        </o>
      </o>
      <o n="__proto__" r="903" />
    </o>
    </o>
820 ~ <o n="2" sid="911" >
      <s n="name" v="calButton" />
822 ~ <o n="attrs" sid="912" >
      <b n="clickable" v="true" />
      <s n="icon" v="iconMonth" />
      <s n="label" v="month" />
      <s n="leftcap" v="shear" />
      <n n="textwidth" v="31" />
824 ~ <o n="events" sid="913" >
      <o n="onclick" FID="calendar_lzx$107_82_onclick_event" >
        <s n="name" v="calendar_lzx$107_82_onclick_event" />
        <o n="prototype" sid="915" >
          <o n="constructor" FID="calendar_lzx$107_82_onclick_event" />
        </o>
      </o>
    </o>
  </o>

```

Title:	SYSTEM FOR OPTIMIZING APPLICATION START-UP	Docket No.:	LZLO-01006USO
Applicants:	Wolff, et al.	Atty:	Larry E. Vierra
Appl. No.:	Unknown	Phone:	(415) 369-9660
Filing Date:	November 24, 2003		
Express Mail No.:	EL 994 763 613 US		

...

```
<o n="constructor" FID="core/LzNode.as"#17/11()9" sid="739" >
```

...

```
<s n="classname" v="LzAnimator" />
```

...

```
<o n="proto" sid="740" >
```

```
<n n="endPoleDelta" v="0.25" />
```

```
<n n="beginPoleDelta" v="0.25" />
```

```
<o n="class" r="739" />
```

```
<s n="classname" v="LzAnimator" />
```

```
<o n="_sPrototypeRef" r="740" />
```

```
<o n="setters" sid="741" >
```

```
<s n="to" v="setTo" />
```

```
<s n="motion" v="setMotion" />
```

```
<o n="__proto__" sid="742" >
```

```
<s n="start" v="setStart" />
```

```
<s n="ease" v="setEase" />
```

```
<o n="__proto__" r="166" />
```

```
</o>
```

```
</o>
```

```
<o n="getters" sid="743" >
```

```
<o n="__proto__" sid="744" >
```

```
<o n="__proto__" r="168" />
```

```
</o>
```

```
</o>
```

```
<o n="defaultattrs" r="585" />
```

```
<o n="_super" sid="745" >
```

```
<b n="start_oninit" v="true" />
```

```
<s n="classname" v="LzAnimatorGroup" />
```

```
<o n="_sPrototypeRef" r="745" />
```

```
<o n="class" FID="core/LzNode.as"#17/11()9" sid="746" >
```

```
<o n="makeDefaultConstructor" FID="core/LzNode.as"#17/11" />
```

```
<o n="isExtendedBy" FID="LzNode.isExtendedBy" />
```

```
<s n="classname" v="LzAnimatorGroup" />
```

```
<s n="name" v="core/LzNode.as"#17/11()9" />
```

```
<o n="proto" r="745" />
```

```
<o n="prototype" r="745" />
```

```
</o>
```

```
<o n="setters" r="742" />
```

```
<o n="getters" r="744" />
```

```
<o n="defaultattrs" r="586" />
```

```
<o n="_super" r="169" />
```

```
<o n="initialize" FID="LzAnimatorGroup.prototype.initialize" >
```

```
<s n="name" v="LzAnimatorGroup.prototype.initialize" />
```

```
<o n=")4proto" sid="748" >
```

```
</o>
```

```
<o n="prototype" sid="749" >
```

```
<o n="constructor" FID="LzAnimatorGroup.prototype.initialize" />
```

```
</o>
```

```
</o>
```

```
<o n="init" FID="LzAnimatorGroup.prototype.init" >
```

```
<s n="name" v="LzAnimatorGroup.prototype.init" />
```

```
<o n="prototype" sid="751" >
```

```
<o n="constructor" FID="LzAnimatorGroup.prototype.init" />
```

```
</o>
```

```
</o>
```

```
<o n="setStart" FID="LzAnimatorGroup.prototype.setStart" >
```

```
<s n="name" v="LzAnimatorGroup.prototype.setStart" />
```

```
<o n="prototype" sid="753" >
```

```
<o n="constructor" FID="LzAnimatorGroup.prototype.setStart" />
```

```
</o>
```

```
</o>
```

...

Fig. 9

902

904

906

908

910